

1

2

3

4

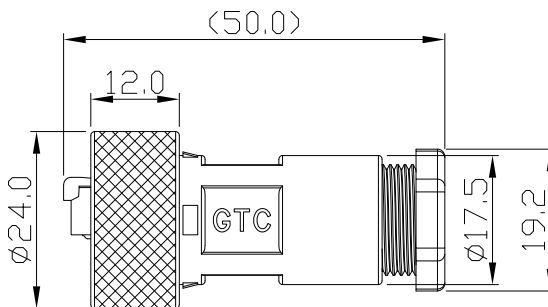
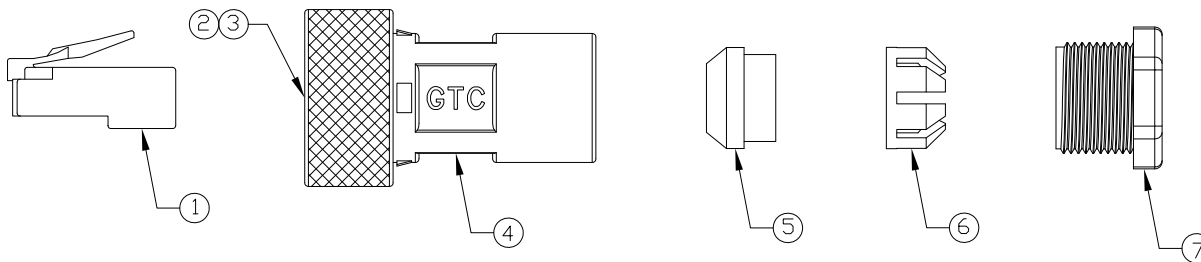
Notes: (Unless Otherwise Specified)

- 1. Waterproof Rate: IP68.
- 2. Cable Diameter: 5.0 to 6.0 mm
- 3. Recommend Gland Nut Torque: 9.0~10.0 Kgf-cm.
- 4. Matting No: GT225500 Series.
- 5. RoHS Compliant
- 6. 產品採用無Logo PE袋單PCS包裝;並將標籤貼於袋外.

RR-225560-00_REV:XX_QTY:1PCS
LOT: XXXX
Made in China

- 7. 每25PCS產品再用無Logo PE袋包裝;並將標籤貼於袋外.

RR-225560-00_REV:XX_QTY:25PCS
LOT: XXXX
Made in China



GTC
 DOC.CENTER.ISSUE
 JUL.25.2018
 ONLY FOR
 RELEASE

7	Gland Nut	Thermoplastic Color: Black	1
6	Cage	Thermoplastic Color: White	1
5	Gland	Silicone Color: Green	1
4	Housing	Thermoplastic Color: Black	1
3	Screw Nut	Copper Alloy Finish: Ni Plated	1
2	Rubber Pad	Silicone Color: Black	1
1	RJ45 Plug	Housing: Thermoplastic, Color: Clean Contacts: Copper Alloy, Finish: Ni Plated Shell: Cold Roll Steel, Finish: Ni Plated	1
Item	Part Name	Material / Finish	Q'ty

TITLE RJ45 Metal C3 Shielded E1 Field Installable Cable End Plug Screw					DRAWING NUMBER RR-225560-00			REV. A0	
---	--	--	--	--	--------------------------------	--	--	------------	--

THIRD ANGLE PROJECTION	SIZE B	SCALE 1:1	DRAW / DATE Whitney 07/24/18	CHECK / DATE Lucas 07/24/18	APPROVE / DATE Ray 07/24/18	TOLERANCES X.X ± 0.5 X.XX ± 0.2	ANGLES X.XXX ± 0.05 ± 1°	UNIT mm	SHEET 1/1
------------------------	-----------	--------------	---------------------------------	--------------------------------	--------------------------------	---------------------------------------	--------------------------------	------------	--------------

USB FIREWIRE.com

THE INFORMATION CONTAINED HEREIN IS THE PROPRIETARY INFORMATION OF RR BUSINESS VENTURES, LLC. THE POSSESSOR AGREES TO THE FOLLOWING

1. MAINTAIN THIS DOCUMENT IN CONFIDENCE
2. NOT TO REPRODUCE OR COPY IT
3. NOT TO REVEAL OR PUBLISH IT IN WHOLE OR IN PART

COPYRIGHT © 2019

1

2

3

4